

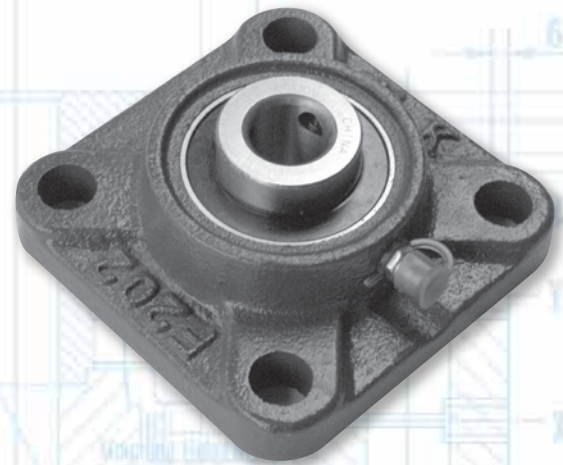
Mounted Bearings

Styles

- Solid base pillow block
- 2 bolt, 3 bolt, 4 bolt
- Take up
- Hanger
- Light Duty, Normal Duty, Medium Duty, Heavy Duty
- Pressed Steel

Special Applications

- Air Handling, High Temperature, and Food Processing



Made-to-Order Machining Capabilities

- ISO/QS/TS Certified Machine Shop
- Castings and Forgings
- Assemblies
- Machining—shafting, gearing, hubs
- Fabrication
- Welding



Sheaves, Bushings, Sprockets and Chains



Motion Specialists International
2650 Bobmeyer Rd.
Hamilton, OH 45015

513-671-6820
motionspecialists.com
©2019 Motion Specialists Incorporated. All rights reserved.

Sheaves

- G3000 cast iron
- Machine balanced
- Lead-free powder coat paint
- Two set screws on finished bore sheaves

Finished Bore Sheaves

- AK17 - 2AK184 single and double grooved bored to size
- BK20 - 2BK190 single and double grooved bored to size

Bushed FHP Sheaves

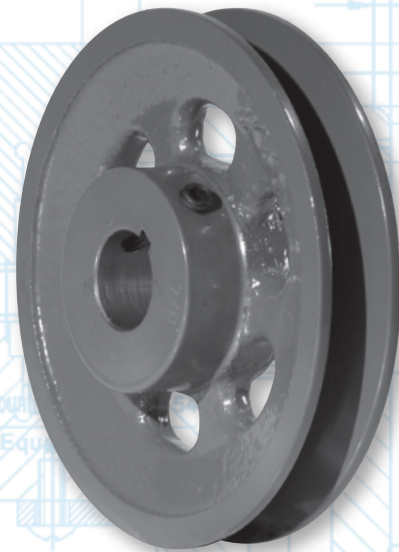
- AK30H - 2AK184H single and double grooved bushed
- BK30H - 2BK190H single and double grooved bushed

Conventional Sheaves

- A/B Combination
- C Groove

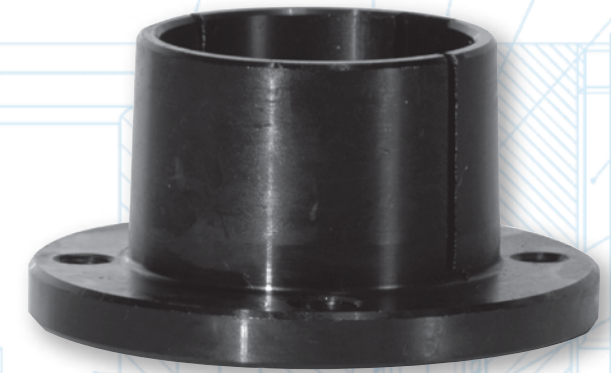
High-Capacity Sheaves

- 3V, 5V, and 8V



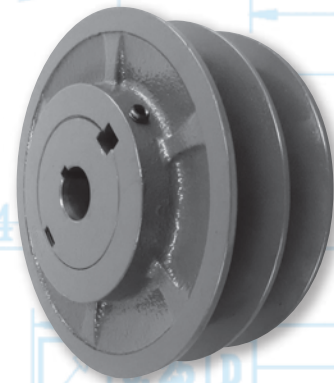
Bushings

- Made from 64-45-12 Ductile Iron
- H & JA bushings manufactured from steel
- J-P QD style available made to order
- Taper Lock style in stock
- Split tapered available made to order



Variable Pitch Sheaves

- 1VL25 - 1VL44 Single groove light duty
- 1VM50 Single groove medium duty
- 1VP25 - 1VP75 Single groove
- 2VP36 - 2VP75 Double groove finished bore



Sprockets

- Manufactured to ANSI specifications
- C1045 Steel
- Forged Construction
- Induction hardened teeth HRC 40-45
- Finished bore keyed at centerline of tooth
- Two patch loc set screws
- Black oxide finish
- Finished bore 35-80 chain size
- QD style bushed 35-80 chain size
- All other sprockets available made to order



Industrial Bearings

Double Row

- Spherical
- Radial

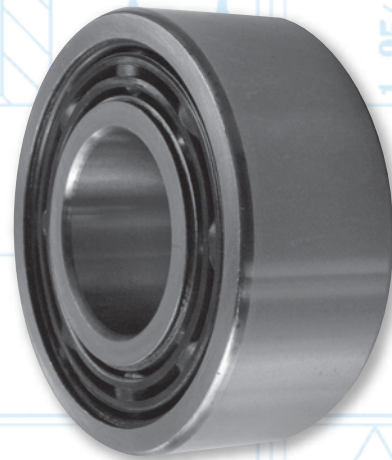
Cylindrical

Larger Taper

Radial Bearings for:

- Pumps
- Shredders
- Mixers

MTO Special Application Bearings



Roller Chains

- ANSI chain 25 through 240 pitch
- Available in riveted and cottered
- Metric pitch sizes
- Corrosion-resistant chains
- AG Chains
- Extended pitch and attachment
- Engineered Class

